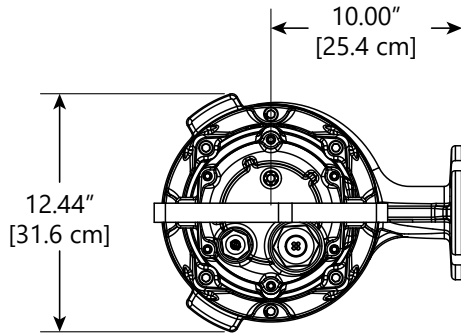
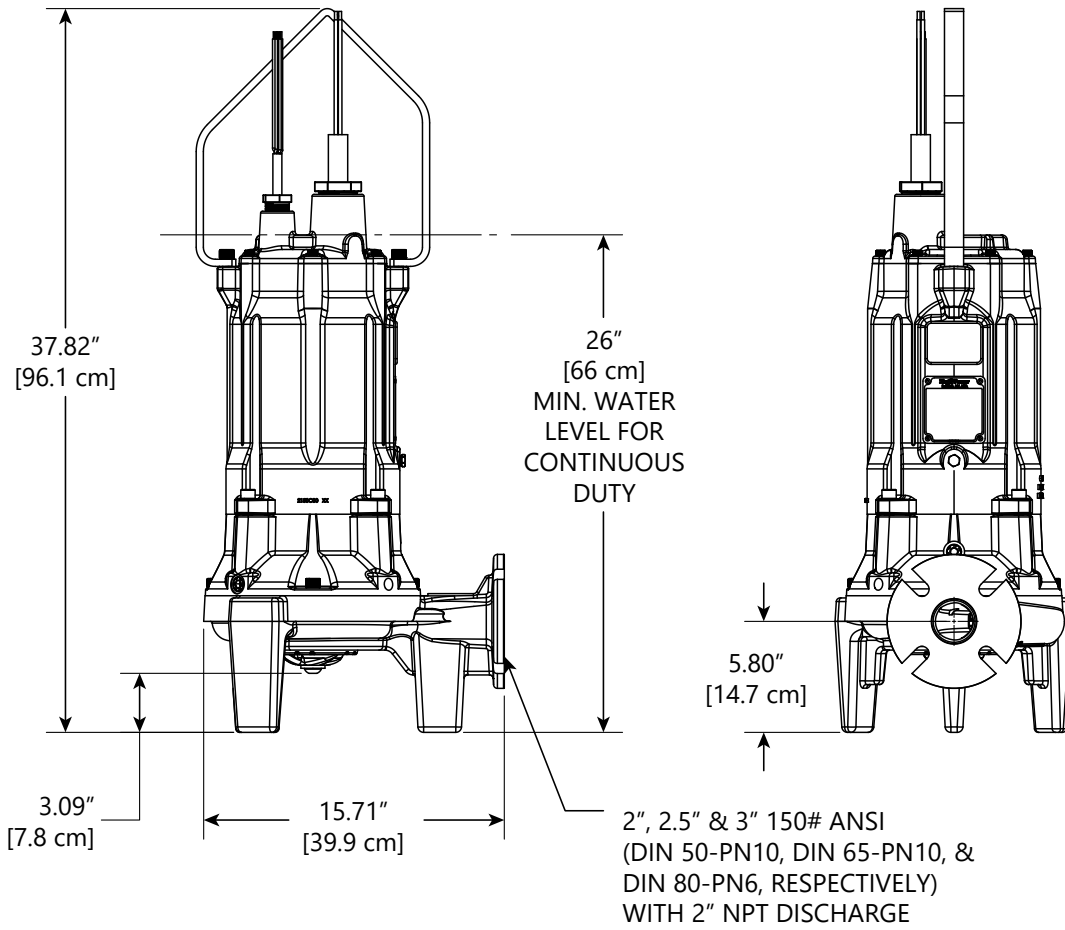


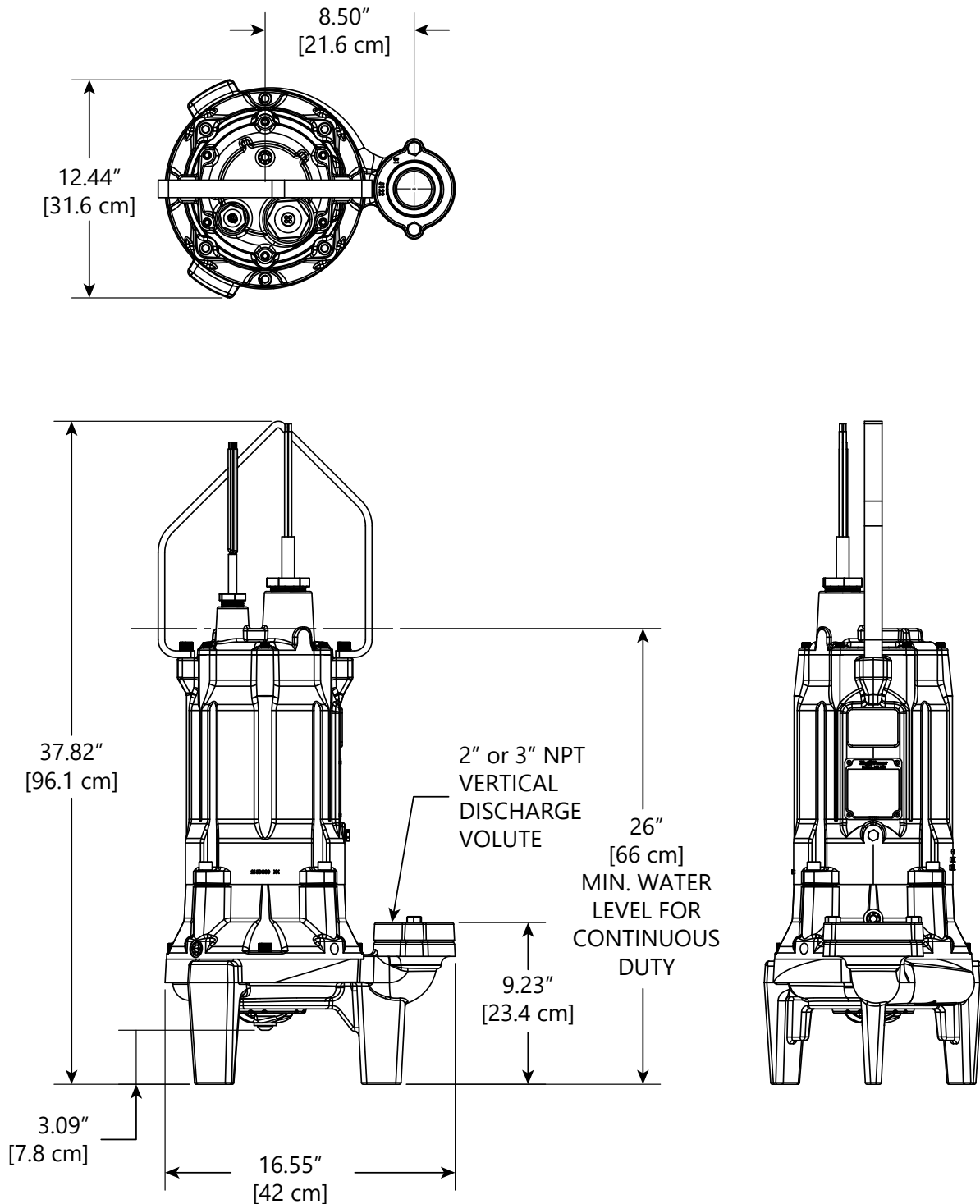
## Horizontal Discharge



**OPTIONAL DISCHARGE  
KIT AVAILABLE FOR 4"  
ANSI DISCHARGE  
KIT #K002016**



## Vertical Discharge



Specifications are subject to change without notice.