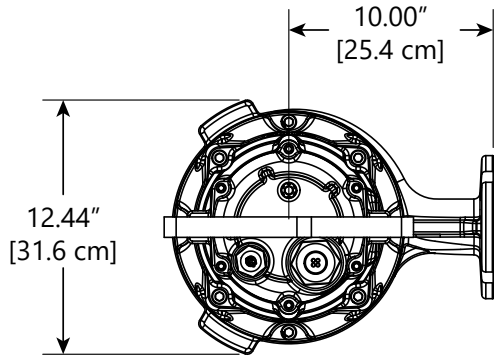
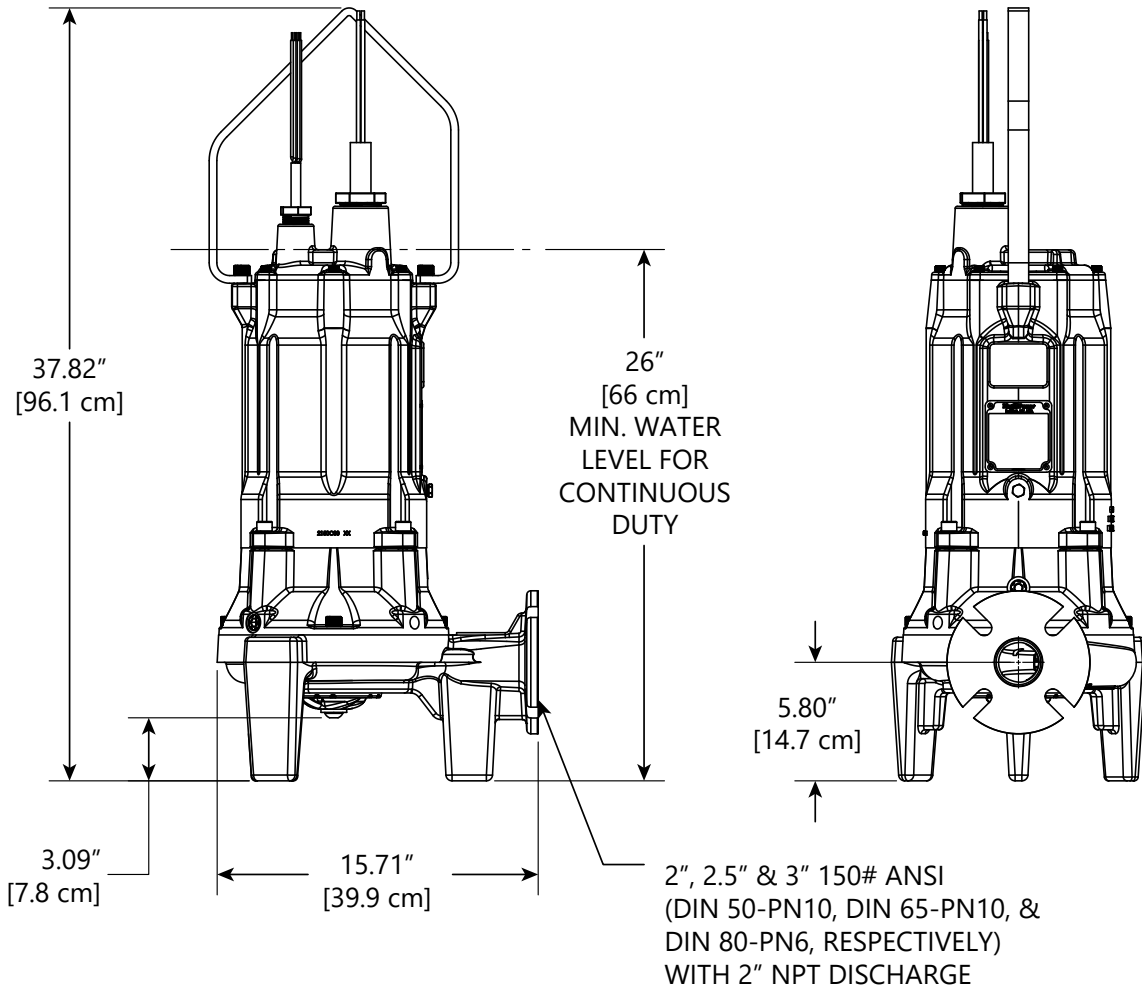


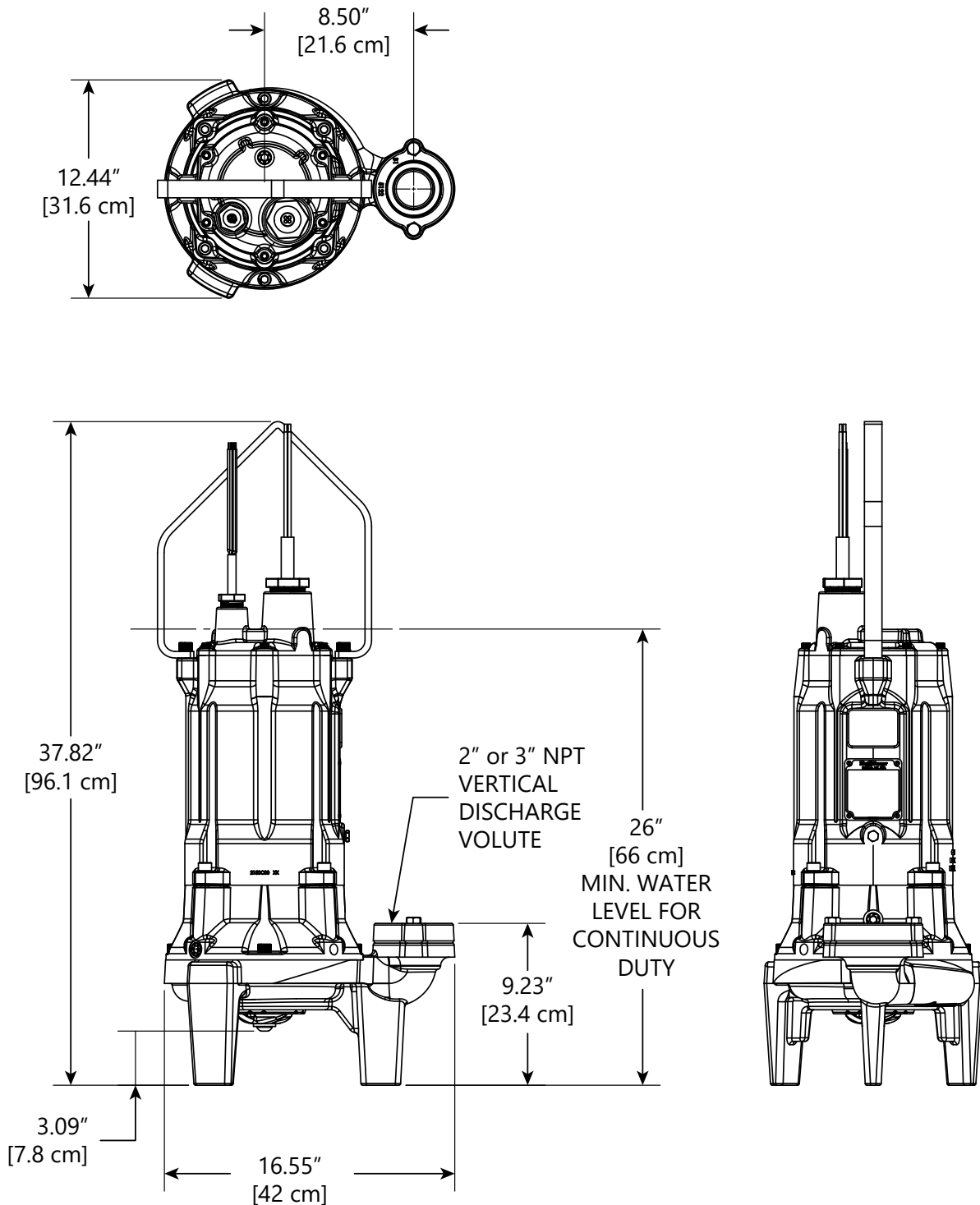
Horizontal Discharge



**OPTIONAL DISCHARGE
KIT AVAILABLE FOR 4"
ANSI DISCHARGE
KIT #K002016**



Vertical Discharge



Specifications are subject to change without notice.