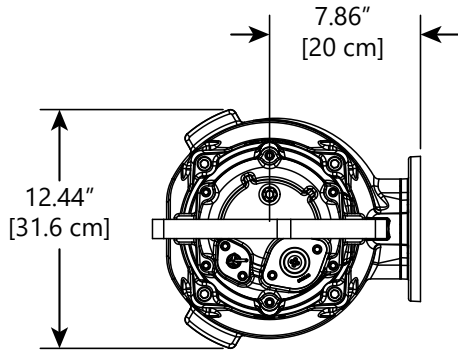
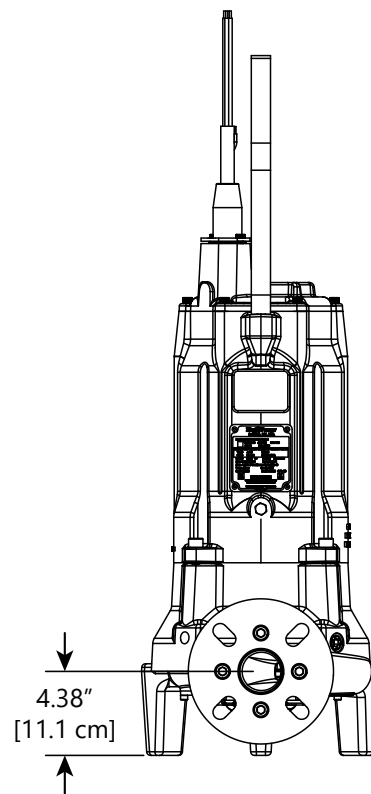
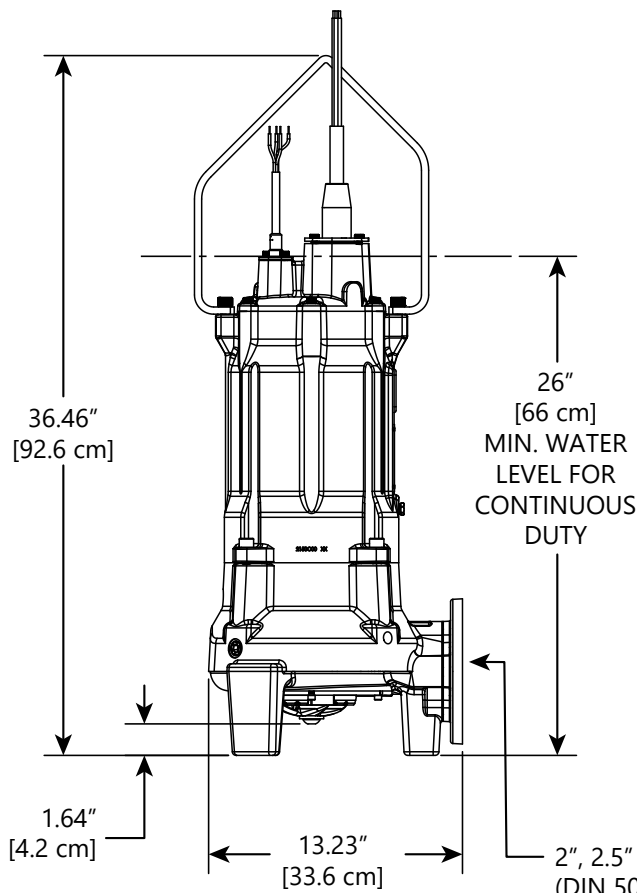


Horizontal Discharge

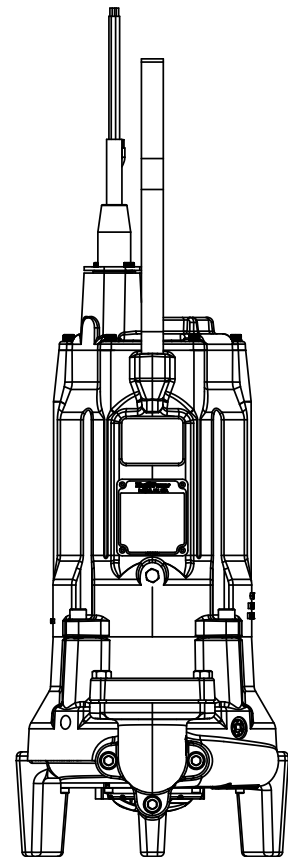
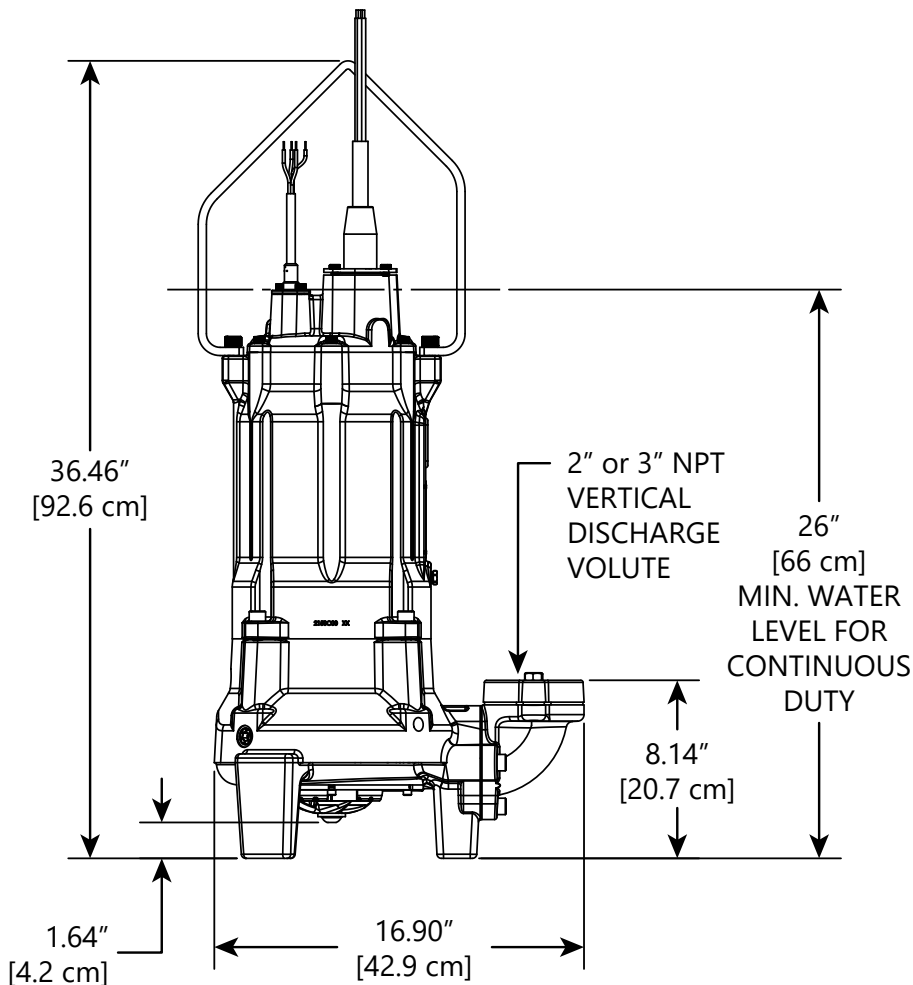
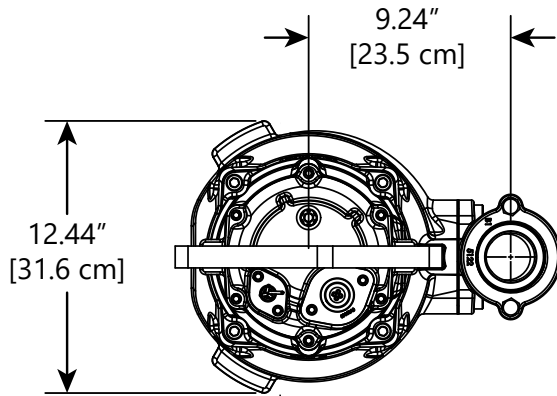


OPTIONAL DISCHARGE KIT
AVAILABLE FOR 4" ANSI
DISCHARGE
KIT #K002016



2", 2.5" & 3" 150# ANSI
(DIN 50-PN10, DIN 65-PN10, &
DIN 80-PN6, RESPECTIVELY)
WITH 2" NPT DISCHARGE

Vertical Discharge



Specifications are subject to change without notice.